


PRODUCT INSTRUCTIONS

Thanks for purchasing this product from RMW.

In this manual you find all the information you need to assemble and paint the model.

PRODUCT DESCRIPTION

Mini crane crawler	Product No: 0305001/2/3
This is a model of a mini crane on tracks Used for interior and exterior hoisting, where only limited space is available	Scale: 1:87 / H0
	Type: kit assembly & painting required
<p>This scale model product comes in 3 variations: product 03050001: transport position product 03050002: fully extended working position product 03050003: combination set (comes with 3 booms)</p>	Material: semi transparent plastic (Shapeways 'Frosted Ultra Detail')
More information can be found via Google (images): Search for 'mini crawler crane'	V1.0
Example photos:	Danger! Small parts included

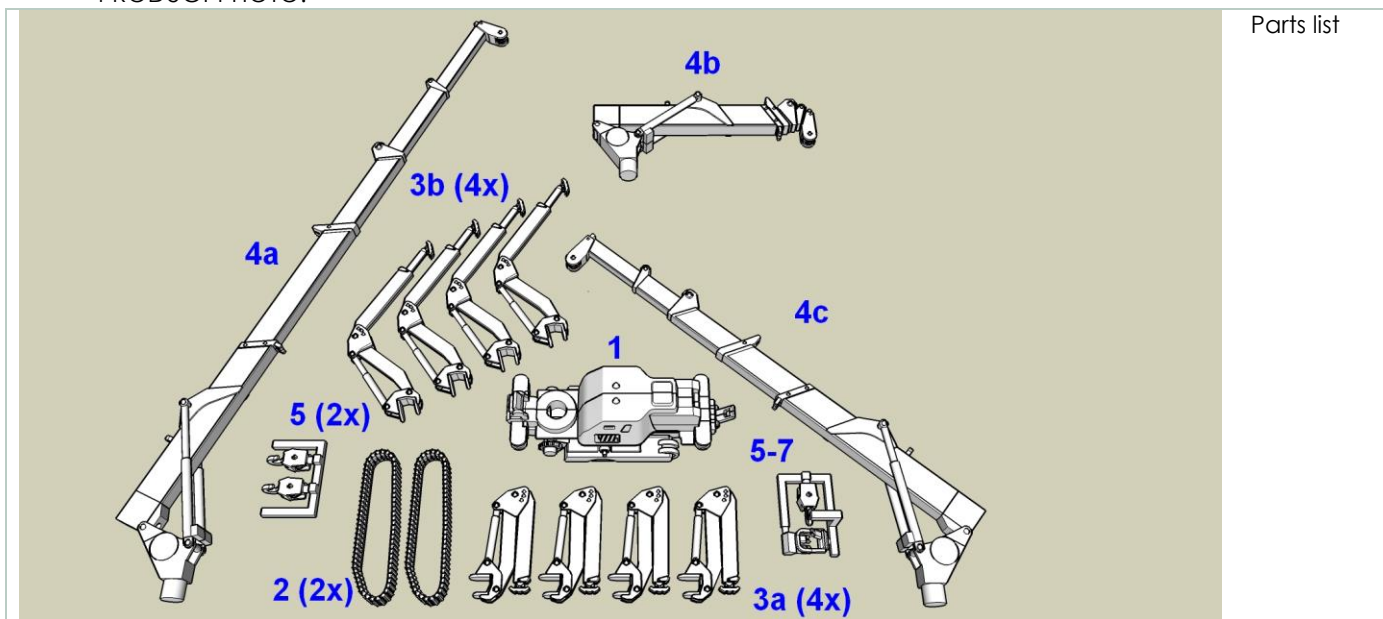


PRODUCT COMPONENTS LIST

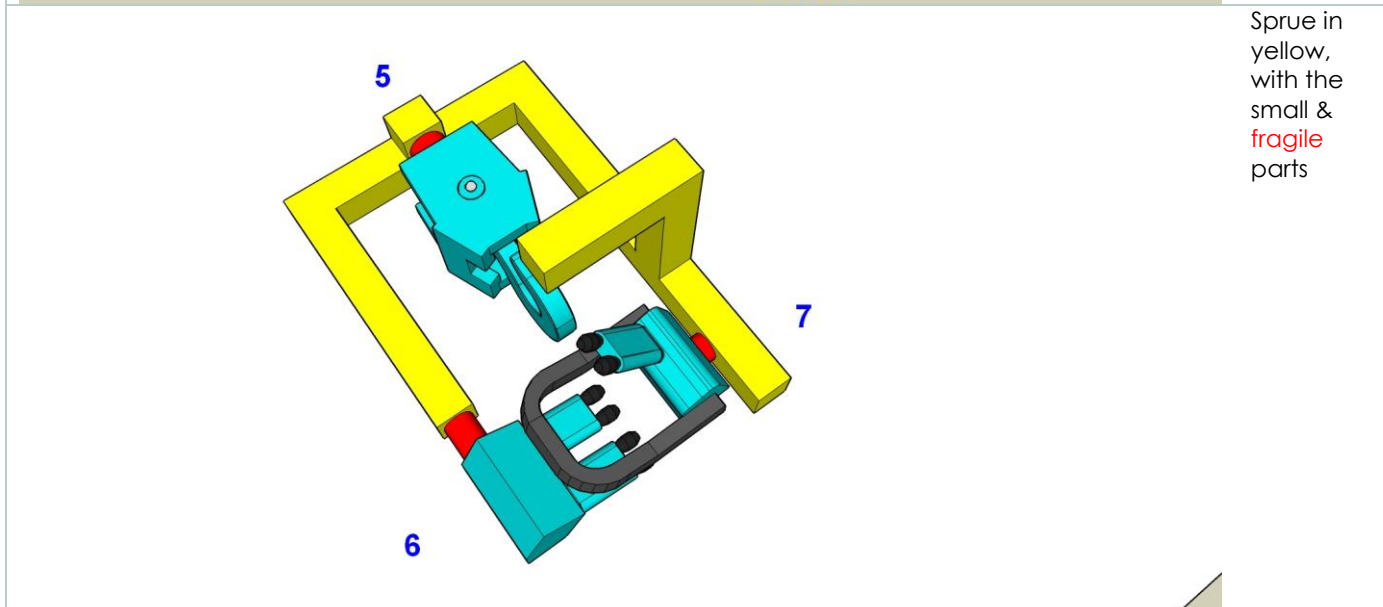
This product consists of:
 For product **03050001**: **8** separate parts plus **3** parts on **1** sprue (total **11** parts) – transport mode
 parts 1, 2, 3a, 4b, 5, 6, 7
 For product **03050002**: **8** separate parts plus **3** parts on **1** sprue (total **11** parts) – fully extended mode
 parts 1, 2, 3b, 4a, 5, 6, 7
 For product **03050003**: **14** separate parts plus **5** parts on **2** sprues (total **19** parts) – combination set mode
 parts 1, 2, 3a, 3b, 4a, 4b, 4c, 5 (3x), 6, 7

No	Description	Paint advise
1	Power unit and crawler	Green, optional bottom black
2	Tracks (2x)	Black
3a/b	a) folded legs; b) unfolded legs (4x)	Green
4a/b/c	Boom, a) fully extended b) folded c) partly extended	Green
5	Hook (1-3x)	Green
6	Control handles	Green/black
7	Control handles	Green/black

PRODUCT PHOTO:



Parts list



Sprue in yellow, with the small & fragile parts

GENERIC INSTRUCTIONS

Cleaning:

If you have a ultrasonic cleaner (like from Conrad or Harborfreight), use that one with cold or luke-warm water to which you have added some dish-washing liquid to clean the parts for **3** minutes. Alternative, clean the parts by hand in water with dish-washing liquid. You can use a soft toothbrush.

For ultra sonic cleaners, refer e.g. to:

<http://www.conrad.de/ce/de/overview/0601120/Ultraschallreiniger>

<http://www.harborfreight.com/catalogsearch/result?q=ultrasonic+cleaner>

Separating parts:

To separate/cut off all parts from the sprue, you either use a hobby-knife or a small scissors.

If you remove the complete sprue from the parts, you might find it more difficult to hold them for painting; so leaving a piece of the sprue to each part might be beneficial (only remove the remaining sprue piece after painting); however, you will not be able to do a test assembly if you leave a piece of the sprue to the part.

Painting:

Ordinary paint as found in car shop accessories can be used. Hobby acrylic paint should also be fine.

First (spray) paint a white base layer. Then multiple layers of your preferred color. After assembly and finishing (decals), use a clear lacquer layer of paint to seal.

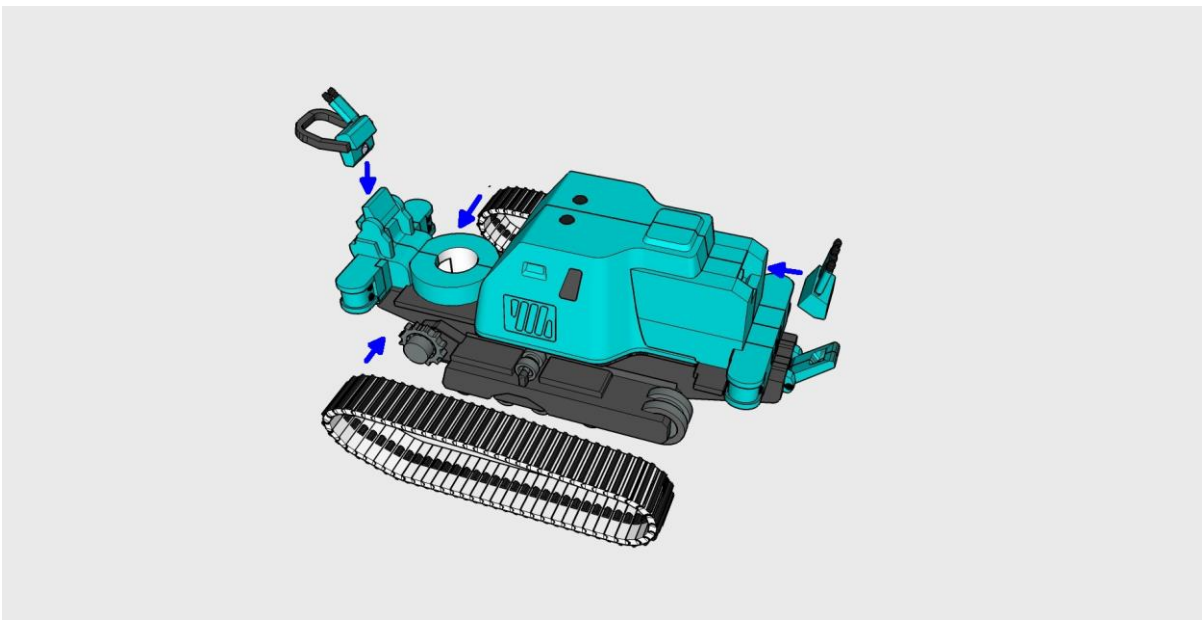
For White Strong and Flexible plastic material, you will have to use quite a few layers of paint, as the material is porous, so will absorb a lot of paint.

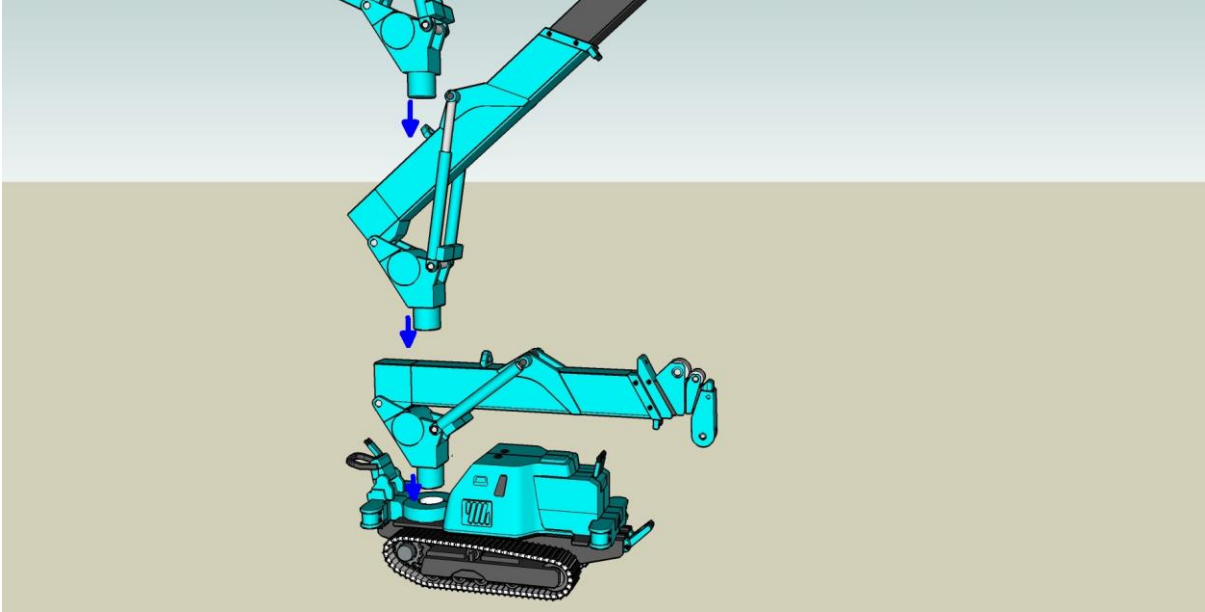
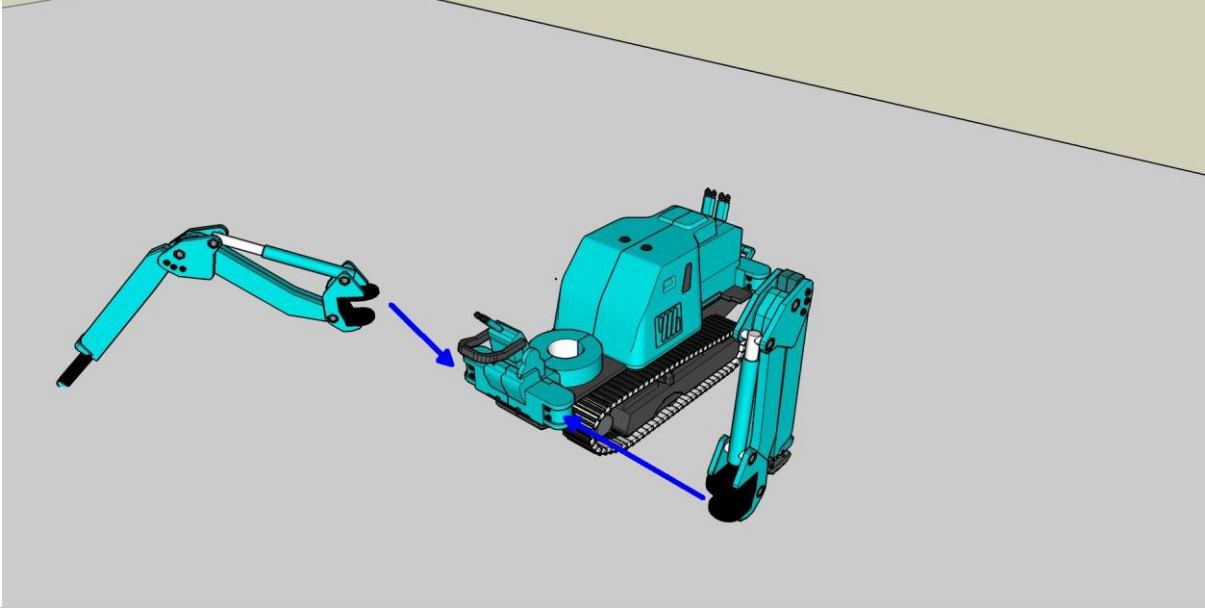
Glue-ing: Only use 'super-glue' (cyancrylat)
Storage: Dust-free at room temperature, protect from UV radiation
Working order: First clean the product carefully. Remove remaining oil, grease and wax. Separate all parts from the sprue. Next do the painting, followed by the assembly and finishing.
Safety guidelines: During cleaning, painting and assembly of the product, use gloves to protect your hands and goggles to protect your eyes. The product might contain oily grease and wax like support material. If in contact with your skin, clean your skin with abundant water and soap. Before eating or drinking, always clean your hands thoroughly if you have touched the product.

ADDITIONAL INFORMATION

The parts on the sprue, may break easily; handle with care!

ASSEMBLY AND PAINTING INSTRUCTIONS

	<i>Follow the generic instructions on cleaning and separating parts</i>
1	Cleaning Clean the parts while still attached to the sprue. Cut off the separate parts with a hobby knife or small scissors: Consider to leave pieces of the sprue on the parts, to simplify painting (use to hold the parts)
2	Painting Spray painted as many parts as possible. Use e.g. a tooth-pick or straw to hold the product. Parts. <i>Only after painting and thorough drying continue.</i>
3	Assembly
3a	 <p>Insert the tracks (part 2) from the side with the gear Cut part 6 & 7 from the sprue with extreme care! (very fragile parts), and glue in place</p>

	
3b	Install on of the booms, do NOT glue (available boom dependent upon product purchased)
3c	
	Install one of the leg sets (4 parts), do NOT glue (available legs dependent upon product purchased)
4	Spray paint all parts with clear lacquer (protective layer).

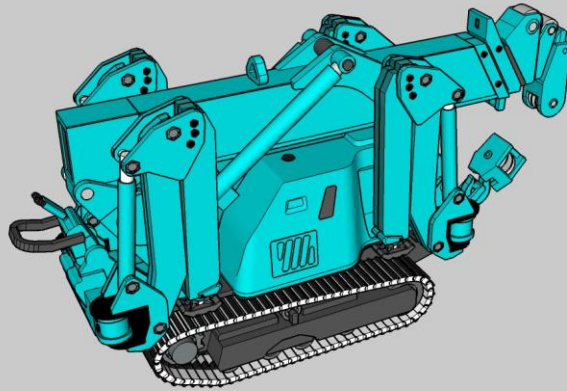
ADDITIONAL INFORMATION

--	--

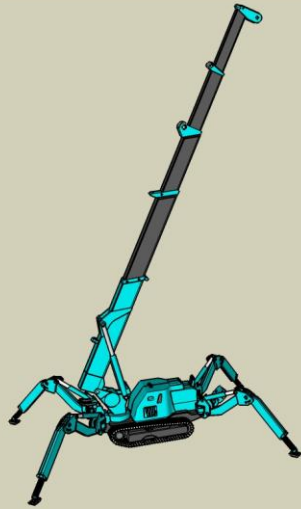
PRODUCT PAINTING EXAMPLES

Example
with
colors
Applied

**Transport
position
(0305001)**



**Fully
extended
(0305002)**



The 3
different
booms



**Half
boom
(0305003)**

0305003
also
comes
with the
other 2
booms,
and both
folded
and
unfolded
legs



Refer to our website for more product photos

For any questions/suggestions or additional information, contact us at

Customer Service Department, email us: support@robs-mw.com	
Website: robs-mw.com	Facebook: facebook.com/robasmw
Subscribe to our newsletter and/or product updates!	

DISCLAIMER

Not included is paint, glue, tools. Decals –if applicable for this product - should be self-printed on suitable material.
This product is only suitable for the experienced scale modeler (adults, 14 years up). Small parts included!
Warning: Please note that the 3D printing materials we use for manufacturing the products make the products suitable only for decorative purposes and they are not suited for any other purpose. The products are not suited to be used as toys, to be given to children. The products should not come in contact with electricity or food & drinks and should be kept away from heat.
Due to the new technologies used to fabricate these products, different procedures might need to be used to achieve similar results as for products produced with conventional technologies.
Photographs and drawings can show pre-production samples. Subject to alterations in assortment, printing, shape and colors.
Technical details information about the example provided 'as-is'